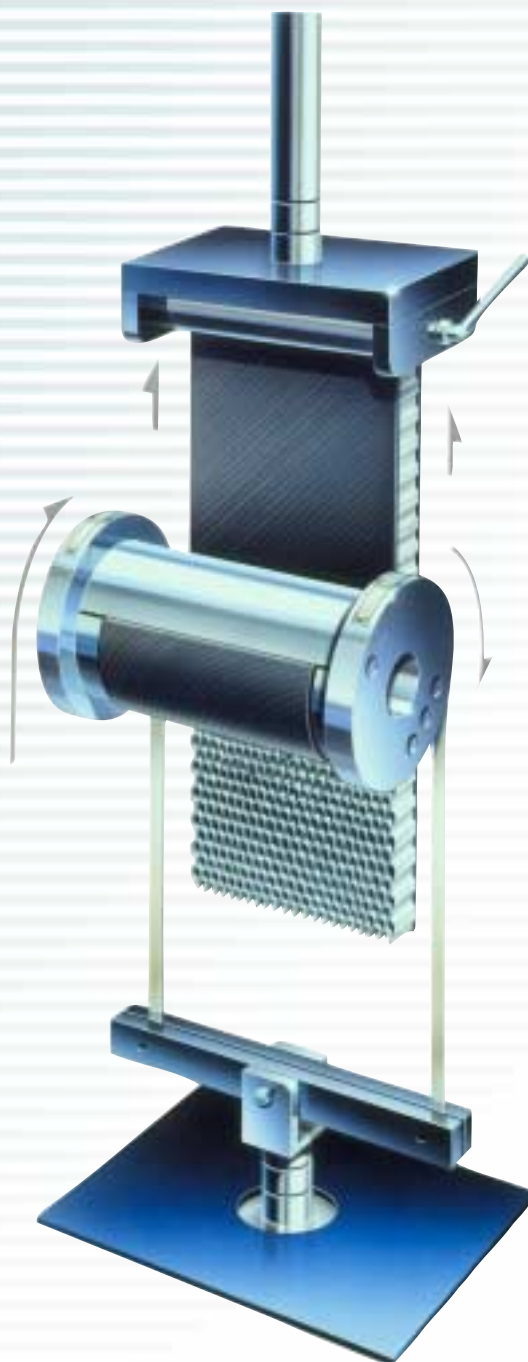


FRICITION, PEEL, PAPER & ADHESION



SPECIFICATION
SS-MT-6407-0101
January 2001

INTERNET
www.ametek.com
www.chatillon.com
www.loyd-instruments.co.uk

AMETEK, CHATILLON and NEXYGEN are registered trademarks of AMETEK, inc.
LLOYD INSTRUMENTS is a trademark of AMETEK, inc.

Copyright 2000, by AMETEK, inc.

LLOYD
INSTRUMENTS™
A trademark of AMETEK Inc.

TG38: 90° Peel Strength Jig

Description

Mechanical Self Adjusting Sliding Bed Jig for 90° peel tests. The test plate can be moved freely in a horizontal position when the pressure sensitive material is removed in order to maintain a 90° angle of peel. A motorised version is also available. Note: The test plate must be provided by the customer. The FINAT standard states that plate glass should be used, but that stainless steel or aluminium can be used provided this is stated alongside the results.

Specification

Maximum Capacity	200 N	45 lbf
Minimum Load Cell	20 N	4.5 lbf
Max Sample Width	85 mm	3.35 in
Eye End Diameter	15.85 mm	0.62 in
Weight - Top Clamp	0.8 Kg	1.76 lb
Temperature Limits	Ambient	

Applications

Peel tests on a wide range of materials, eg: sealing tape, labels, laminated coatings, etc. Measuring peel adhesion at 90° normally gives a lower recorded value than at 180° and allows values to be measured for materials, normally giving paper tear. Peel adhesion is defined as the force required to remove pressure sensitive coated material, which has been applied to a standard test plate under specified conditions, from the plate at a specified angle and speed. This Jig is similar to that used in tests BS 5350: Part C10 and FINAT test method no.2 (FTM 2) - Peel adhesion (90°) at 300mm per minute



TG35: Coefficient of Sliding Friction Jig

Description

Coefficient of Sliding Friction Jig. It consists of a horizontal flat bed incorporating a suitable clamping device and a sled, the underside of which is covered with a layer of smooth-faced foam rubber of medium apparent density.

Specification

Maximum Capacity	100 N	22.5 lbf
Minimum Load Cell	5 N	1.12 lbf
Bed Width	300 mm	11.8 in
Bed Length	600 mm	23.6 in
Eye End Diameter	15.85 mm	0.62 in
Sled Weights	200 and 720 g	0.44 lb and 1.59 lb
Temperature Limits	Ambient	
Span Adjustment	10 - 150 mm	0.39 in - 5.91 in

Applications

Determination of the static and kinetic coefficients of friction of plastic film and paper when sliding over itself under controlled test conditions. A sheet of plastic film/paper is clamped to a horizontal bed and a similar film/paper is clamped to the underside of a sled. The force required to overcome the frictional resistance between the two imposed surfaces, when one is moved relative to the other along their plane of contact, is measured. The static coefficient of friction is determined by the force required to overcome the initial resistance between the two surfaces and the kinetic coefficient of friction is determined from the subsequent force when continuous sliding at a constant rate of movement is sustained.



TG72: Finch Device for Tensile Testing of Wet Paper

Description

The object of this device is firstly to enable tensile tests to be carried out immediately after short soaking periods and secondly to avoid the difficulty of handling wet test pieces of low strength. It consists of a rigid inverted metal stirrup with a horizontal rod attached to it. Between the metal straps which form the framework of the stirrup is a small, easily removable container for holding water. Spring clips hold the container in position and also enable it to be slid up and down and to be left in either the raised or the lowered position. A metal tongue at the bottom of the apparatus permits the device to be fastened securely in the lower clamp of the tensile tester. Note: The upper grip shown here is a TG34 and must be ordered separately.

Specification

Maximum Capacity	10 kN	2200 lbf
Minimum Load Cell	100 N	23 lbf
Max Sample Width	25 mm	1.0 in
Eye End Diameter	15.85 mm	0.62 in
Weight Each	2 Kg	4.4 lb
Length Each	115 mm	4.53 in
Temperature Limits	Ambient	

Applications

Loop tensile testing of wet paper or board. Wet tensile strength is defined as the maximum force that a test piece of paper or board will stand, after soaking in water, before it breaks under specified conditions. Wet strength retention is defined as the ratio of the value of the tensile strength of a paper or board in the wet state to that of the same paper or board in the dry state, measured under the specified conditions.



TG580: Climbing Drum Peel Test Jig

Description

The peeling jig consists of a flanged drum and flexible loading straps or cables. A drum clamp is used to hold the adherent against the face of the drum. The drum is balanced about the axis by the use of counter weights placed diametrically opposite the drum clamp to compensate for the mass of this clamp.

Specification

Maximum Capacity	2.5 kN	550.0 lbf
Minimum Load Cell	1 kN	225.0 lbf
Max Sample Width	100 mm	4.0 in
Eye End Diameter	15.85 mm	0.62 in
Temperature Limits	Ambient	

Applications

Determination of the resistance of joints to perpendicular peel stresses on the adhesive layer. Applicable to the testing of joints between an outer metal sheet and the core of sandwich assemblies, e.g.: honeycomb or other composites. In the climbing drum peel test the adherents are separated steadily by the action of a revolving drum which rotates by the application of a tensile force applied by a tensile testing machine. Peel Strength is defined as the force required to separate the two members of a bonded test piece of specified dimensions over the adhered surfaces, under the specified conditions of test.



TG136: Shouldered Grip for Tension Tests on Adhesives

Description

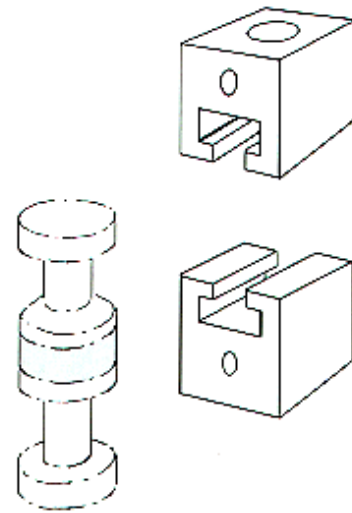
Shouldered grips to hold sample "dollys" between two base plates located in self centering 'T' slots. Supplied with 5 pairs of adhesive plates 50 x 50 mm.

Specification

Maximum Capacity	5 kN	22481 lbf
Minimum Load Cell	500 N	112 lbf
Max Sample Area	50 mm	1.97 in
Eye End Diameter	15.85 mm	0.62 in
Weight Each	5.75 Kg	12.7 lb
Temperature Limits	Ambient	

Applications

Determining the adhesion of adhesives, sealants and mastics by measuring the minimum tensile stress necessary to detach or to rupture the coating. Designed to meet ISO 4624-1978 and BS3900:Part E10:1979 (pull off test for adhesion)



ORDERING INFORMATION

Model	Part No.	Description
TG38	01/1907	90° Peel Strength Jig
TG35	01/1173	Coefficient of Sliding Friction Jig
TG72	01/1507	Finch Device for Tensile Testing of Wet Paper
TG580	01/1818	Climbing Drum Peel Test Jig
TG136	01/1584	Shouldered Grip for Tension Tests on Adhesives

AMETEK®

TEST AND CALIBRATION INSTRUMENTS

UK

Lloyd Instruments Ltd
Forum House,
12 Barnes Wallis Rd
Segensworth East, Fareham,
Hampshire, UK
PO15 5TT
Tel: +44 (0)1489 486 399
Fax: +44 (0)1489 885 118

America

AMETEK TCI Division
8600 Somerset Drive
Largo,
Florida 33773
USA
Tel: +1 (727) 536 7831
Fax: +1(727) 539 6882

Far East

Lloyd Instruments
Far East Representative Office
No7 Sherwood Place
Alexander Heights
6064 Perth
Western Australia
Tel: +61 8 9343 5725
Fax: +61 8 9343 5723

France

Lloyd Instruments SA
3 avenue des Coudriers,
Zone d'activite de l'observatoire,
78180 Montigny-Le-Bretonneux
FRANCE
Tel: +33 (1) 30 57 47 74
Fax: +33 (1) 30 57 50 33

Germany

Erichsen Wuppertal
Ametek Precision Instruments
Europe GmbH
Rudolf-Diesel-Strasse 16
D-40670 Meerbusch
Germany
Tel: +49 (0)2159 9136-70
Fax: +49 (0)2159 9136-80

email: general@lloyd-instruments.co.uk
www.lloyd-instruments.co.uk

Information within this document is subject to change without notice.

ISO 9001
Manufacturer