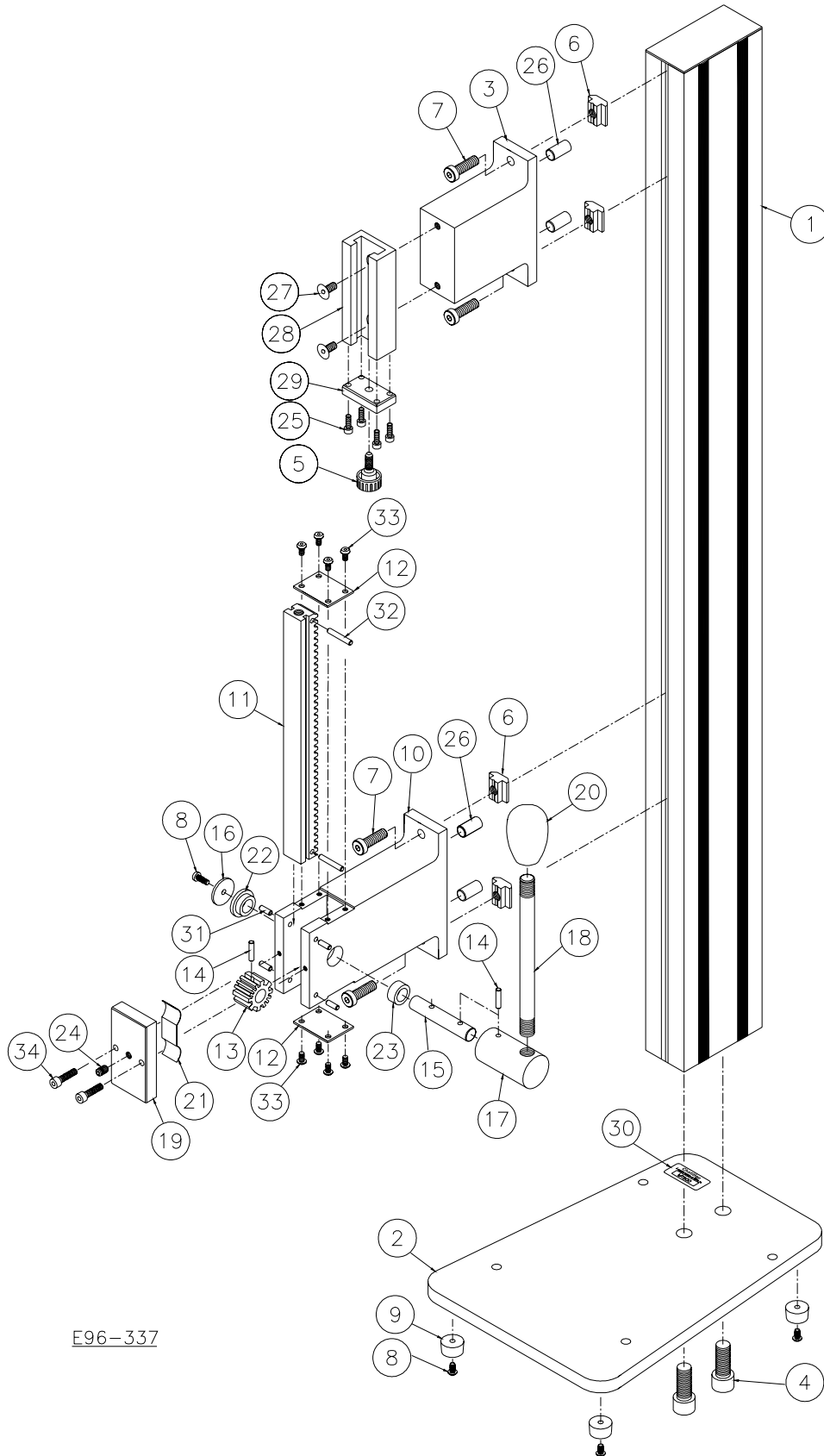


PL-FM-3125-0503

May 2003

Issue 1

### Model MT500L Series Parts Listing



E96-337

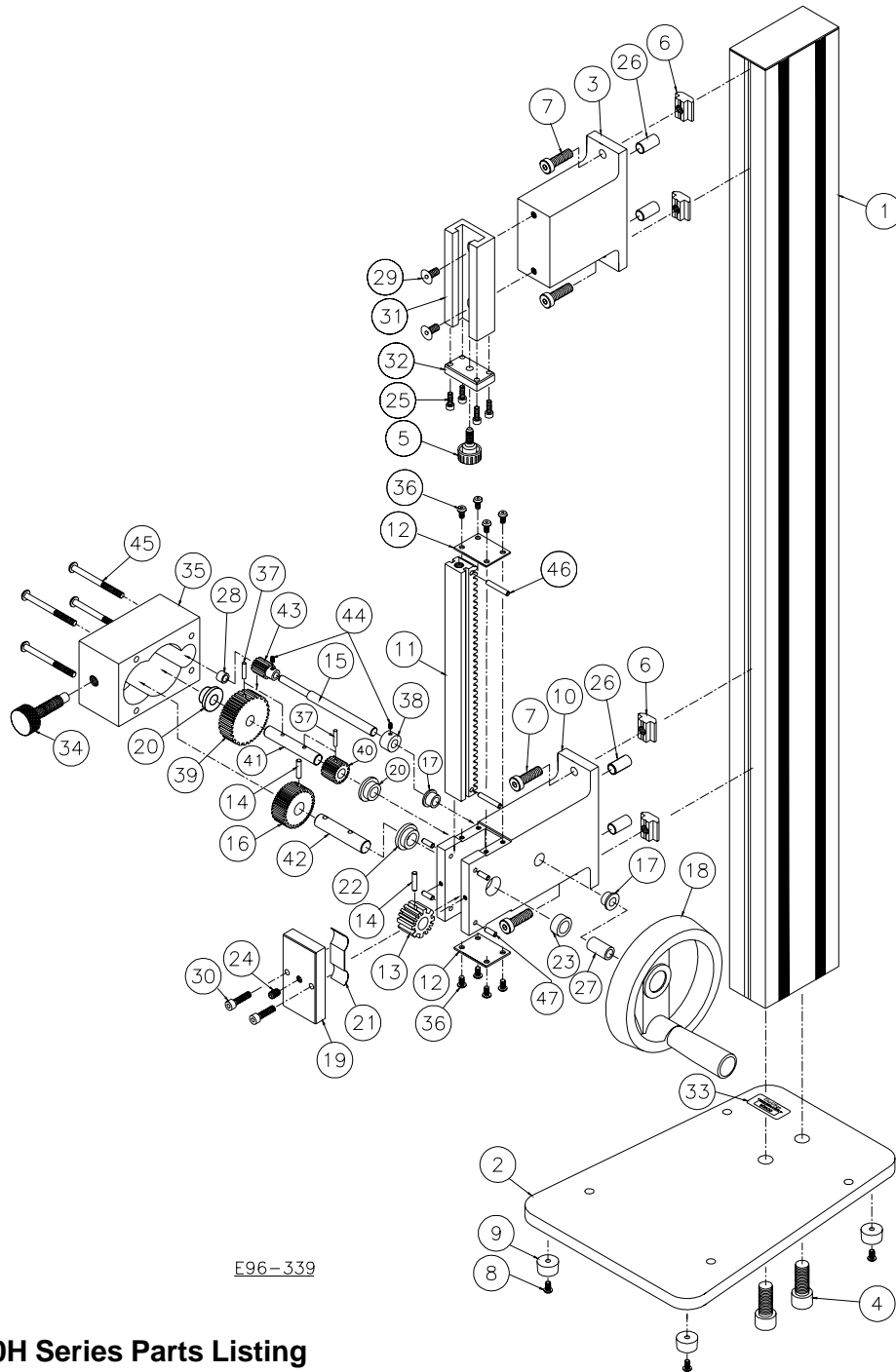
## Model MT500L Series Parts Listing With Lever Actuator

US List Price	Ref. No.	Part No.	Description	MT 500L
	1	SPK-MT500-0750	Column Assembly, 750mm (29.5 in)	1
		SPK-MT500-1000	Column Assembly, 1000mm (39.4 in)	1
		SPK-MT500-1500	Column Assembly, 1500mm (59.0 in)	1
	2	BST/0036	Base	1
	3	BMT/0117	Beam, Fixed Gauge	1
	4	E08-254	Screw, Hex Head M12 x 30mm	2
	5	SCT/0292	Screw, Locking	1
	6	NC002719	T-Block, 10mm Slot, 8mm Thread	4
	7	E08-255	Screw, M8 x 20mm SHC	4
	8	70101204010	Screw, M4 x 10mm, Pan Head	5
	9	FTT/0142	Foot, Rubber	4
	10	BMT/0116	Beam, Lever Assembly	1
	11	02/0572	Rack, Square, 500 lbf	1
	12	PLT/1203	Plate, Cover	2
	13	WHT/0245	Gear Wheel	1
	14	PIN/0444	Pin, 4mm x 18mm	2
	15	SHT/0289	Shaft, Pinion	1
	16	WST/0247	Washer, Tensioning	1
	17	BOT/0427	Lever Boss	1
	18	LVT/0395	Lever, Long	1
	19	PLT/1204	Plate, Pressure	1
	20	HDL/0142	Knob, Handle	1
	21	SRT/0210	Spring, Leaf	1
	22	BUT/0196	Bushing, Flanged, 18 OD x 12 ID x 8 mm	1
	23	BUT/0198	Bushing, Sleeve, 18 OD x 12 ID x 8 mm	1
	24	E08-248	Screw, Set M6 x 10mm	1
	25	E08-235	Screw, SHC M4 x 12mm	4
	26	NC002723	Dowel Pin, 10 x 20mm	4
	27	70113406016	Screw, Flat Head M6 x 16mm	2
	28	BLK/0426	Adapter, Fixed T-Slot	1
	29	PLT/1206	Retaining Plate	1
	30	NC002621	Label, Logo	1
	31	NC002744	Pin, Dowel, 4 x 12mm	4
	32	NC002743	Pin, Dowel, 4 x 30mm	2
	33	E08-253	Screw, BHS M4 x 8mm	8
	34	E08-247	Screw, SHC M5 x 20mm	2

**PL-FM-3125-0503**

May 2003

Issue 1



E96-339

**Model MT500H Series Parts Listing  
With Handwheel Actuator**

US List Price	Ref. No.	Part No.	Description	MT 500H
	1	SPK-MT500-0750	Column Assembly, 750mm (29.5 in)	1
		SPK-MT500-1000	Column Assembly, 1000mm (39.4 in)	1
		SPK-MT500-1500	Column Assembly, 1500mm (59.0 in)	1
	2	BST/0036	Base	1
	3	BMT/0117	Beam, Fixed Gauge	1
	4	E08-254	Screw, Hex M12 x 30mm	2
	5	SCT/0292	Screw, Locking	1

## Model MT500H Series Parts Listing With Handwheel Actuator

US List Price	Ref. No.	Part No.	Description	MT 500H
	6	NC002719	T-Block, 10mm Slot, 8mm Thread	4
	7	E08-255	Screw, M8 x 20mm SHC	4
	8	70101204010	Screw, M4 x 10mm, Pan Head	4
	9	FTT/0142	Foot, Rubber	4
	10	BMT/0115	Beam, Wheel Assembly	1
	11	02/0572	Rack, Square, 500 lbf	1
	12	PLT/1203	Plate, Cover	2
	13	WHT/0245	Gear Wheel	1
	14	PIN/0444	Pin, 4mm x 18mm	2
	15	SHT/0283	Shaft, Drive	1
	16	GRT/0061	Gear, 36 Teeth	1
	17	BUT/0201	Bushing, Flanged, 12 OD x 8 ID x 8mm	2
	18	HDL/0246	Handwheel, 500 lbf	1
	19	PLT/1204	Plate, Pressure	1
	20	BUT/0197	Bushing, Flanged, 16 OD x 10 ID x 8mm	2
	21	SRT/0210	Spring, Leaf	1
	22	BUT/0196	Bushing, Flanged, 18 OD x 12 ID x 8 mm	1
	23	BUT/0198	Bushing, Sleeve, 18 OD x 12 ID x 8 mm	1
	24	E08-248	Screw, Set M6 x 10mm	1
	25	E08-235	Screw, SHC M4 x 12mm	4
	26	NC002723	Dowel Pin, 10 x 20mm	4
	27	BUT/0205	Bushing, Reducing	1
	28	BUT/0202	Bushing, Sleeve, 9 OD x 6 ID x 6mm	1
	29	70113406016	Screw, Flat Head M6 x 16mm	2
	30	E08-247	Screw, SHC M5 x 20mm	2
	31	BLK/0426	Adapter, Fixed T-Slot	1
	32	PLT/1206	Retaining Plate	1
	33	NC002621	Label, Logo	1
	34	SCT/0300	Screw, Locking	1
	35	COV/0638	Gear Cover	1
	36	E08-253	Screw, BHS M4 x 0.7 x 8mm	8
	37	PIN/0443	Pin, Dowel, 3 x 16mm	2
	38	BOT/0422	Boss Spacer	1
	39	GRT/0059	Gear, 45 Teeth	1
	40	GRT/0060	Gear, 18 Teeth	1
	41	SHT/0286	Shaft, Geartrain	1
	42	SHT/0285	Shaft, Drive	1
	43	PUT/0448	Pinion	1
	44	70106203005	Screw, Set, M3 x 5mm	2
	45	70108405060	Screw, Button, M5 x 60mm	4
	46	NC002743	Pin, Dowel, M4 x 30mm	2
	47	NC002744	Pin, Dowel, M4 x 12mm	4