

Note: Items which have no US List Price indicated (N/A) are not available for resale and are identified for reference purposes only.
Part Number Descriptions with an asterisk (*) are not shown.

Model LTCM-6 Series Parts Listing

Ref. No.	Part No.	Description	LTCM-6 110V	LTCM-6 230V	LTCM-6E 110V	LTCM-6E 230V
1	NC002572	Tower	1	1	1	1
2	NC002573-1	Ram	1	1	1	1
3	NC001789	Top	1	1	1	1
4	NC001793	Belt Holder Plate	1	1	1	1
5	NC001794	Linear Rail	1	1	1	1
6	NC001795*	Graphic Strip	1	1	1	1
7	NC001799	Pulley	2	2	2	2
8	NC001800	Belt HTC SM-15-1125	1	1	1	1
9	NC001807	Motor	1	1	1	1
10	NC000357	Screw, #6-32 x 1-1/2 SHC	4	4	4	4
11	NC001783	Base Belt Adjuster	1	1	1	1
12	NC001784	Shaft Holder	1	1	1	1
13	NC002574	Shaft, Belt Adjuster	1	1	1	1
14	NC001796	Bushing, GS-0809-08	2	2	2	2
15	NC001797	Retaining Ring	1	1	1	1
16	NC001798	Locknut, 1/2-20	1	1	1	1
17	13927	Lock Washer, #6	19	19	19	19
18	NC000846	Hex Key, 5/32	1	1	1	1
19	3197	Nut, #10-32	4	4	4	4
20	NC001823	Screw, M6x1x16 SHC	4	4	4	4
21	21104	Screw, #6-32 x 1/2 SHC	4	4	4	4
22	2538	Flat Washer, #10	2	2	2	2
23	3355	Split Lock Washer, #10	11	11	11	11
24	3572	Screw, #10-32 x 1/2 SHC	6	6	6	6
25	21105	Screw, #6-32 x 3/4 SHC	4	4	4	4
26	NC000472	Screw, #6-32 x 3/8 BHC	6	6	6	6
27	Unused Character					
28	NC001786	Belt Clamp	1	1	1	1
29	NC000486	Screw, #6-32 x 3/8 SHC	4	4	4	4
30	NC000604	Stop Button	1	1	1	1
31	NC000605	Contact Block	2	2	2	2
32	NC000916	Screw, #6-32 x 5/8 SHC	7	7	7	7
33	NC001790	Overlay, 110V	1	-	1	-
	NC002066	Overlay, 230V	-	1	-	1
34	NC002488	Control Console	1	1	1	1
35	NC002487	EMI Gasket	1	1	1	1
36	10390	Lock Washer, #6	6	6	6	6
37	15070	Knob	1	1	1	1
38	NC001325	Foot, Rubber	4	4	4	4
39	NC001788	Base Plate	1	1	1	1
40	2759	Screw, 1/4-20 x 1/2 SHC	4	4	4	4

Note: Items which have no US List Price indicated (N/A) are not available for resale and are identified for reference purposes only.
 Part Number Descriptions with an asterisk (*) are not shown.

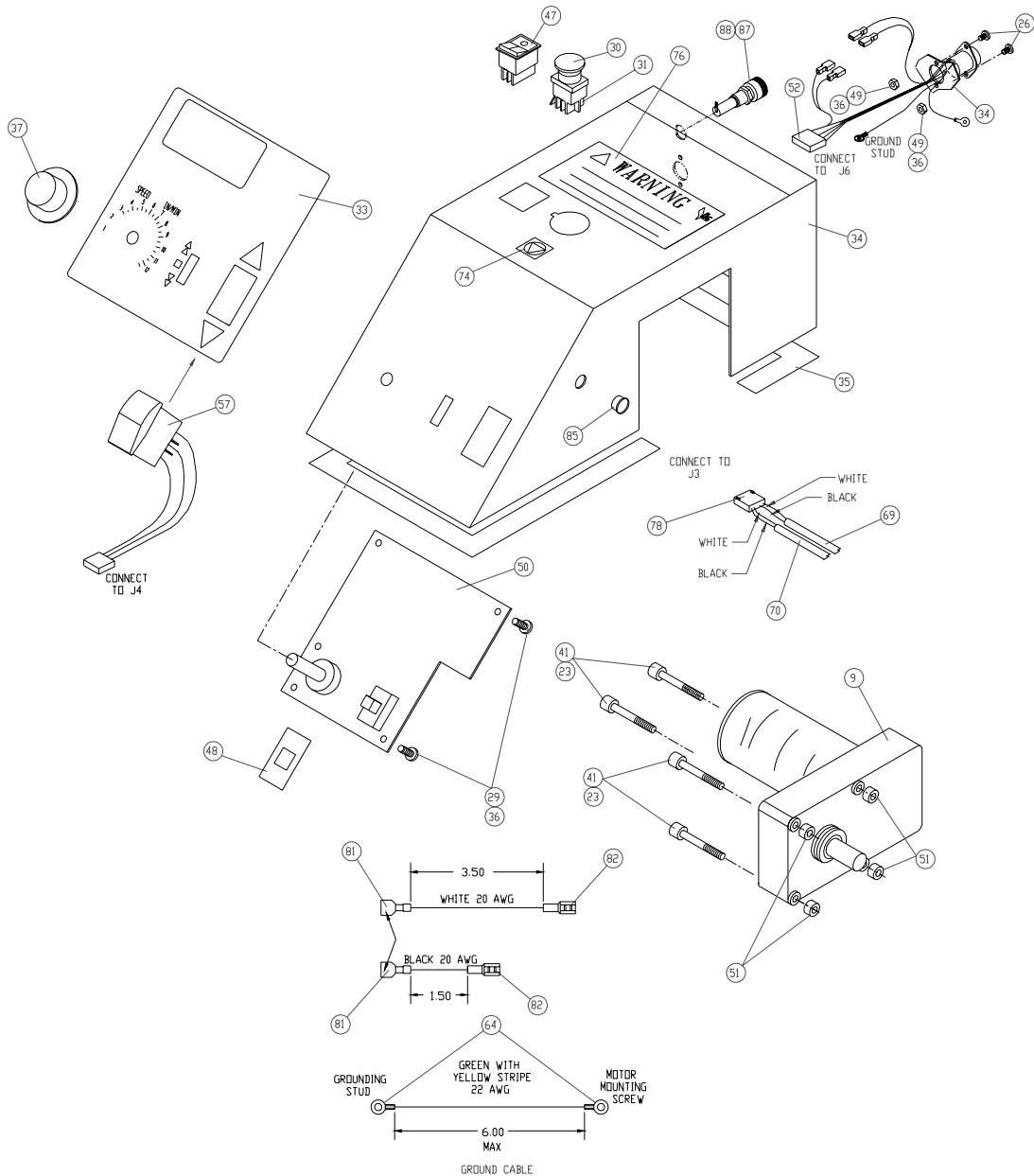
Model LTCM-6 Series Parts Listing

Ref. No.	Part No.	Description	LTCM-6 110V	LTCM-6 230V	LTCM-6E 110V	LTCM-6E 230V
41	21160	Screw, #10-32 x 1-1/2 SHC	6	6	6	6
42	NC000412	Gauge Mounting Adapter, DFGS	1	1	1	1
43	NC000986	Gauge Mounting Adapter, DFM	1	1	1	1
44	1613	Screw, #10-32 x 3/4 SHC	6	6	6	6
45	NC001927	Key	2	2	2	2
46	NC001948	Upper Stop	1	1	1	1
47	NC002046	Rocker Switch	1	1	1	1
48	NC000889	Dust Cover	1	1	1	1
49	3168	Nut, #6-32-2B	2	2	2	2
50	NC002294	Control Board	1	1	1	1
51	NC001930	Spacer	4	4	4	4
52	NC002313	Cable, Power	1	1	1	1
53	Unused Character					
54	NC002296*	TAC Circuit Board	1	1	1	1
55	1173*	Screw, #2-56-2A x .13 RH	2	2	2	2
56	NC001977*	TAC Wheel	1	1	1	1
57	NC002308	Switch, Up/Down Assembly	1	1	1	1
58	NC001988	Set Screw, M6x1x.5mm	1	1	1	1
59	10716	Flat Washer, #6 Brass	4	4	4	4
60	NC001950	Lower Stop	1	1	1	1
61	9766	Lock Washer, 1/4	1	1	1	1
62	3146	Screw, #1/4-20 x .58 SHCS	1	1	1	1
63	NC001240*	Screw, #10-32 x 1.0 SHCS	1	1	1	1
64	EL10-1017	Ring Terminal	3	3	3	3
65	NC001931	Power Supply, 110V	1	-	1	-
	NC0011932	Power Supply, 230V	-	1	-	1
66	Unused Character					
67	EL9-1084	Power Cord	-	1	-	1
68	Unused Character					
69	NC002310	Assembly, Upper Limit Switch	1	1	1	1
70	NC002309	Assembly, Lower Limit Switch	1	1	1	1
71	NC002079	Screw, #2-56 x 1/2 Socket Hd	4	4	4	4
72	NC001122	Lock Washer, #2	4	4	4	4
73	NC002065	Label, Caution	1	1	1	1
74	NC001957	Label, Stop	1	1	1	1
75	NC001955*	Label, CE	1	1	1	1
76	NC000670	Label, Warning	1	1	1	1
77	Unused Character					
78	NC001895	Connector, 4 Pin	1	1	1	1
79	NC000699*	Limit Switch Cable Mounting Pad	4	4	4	4

Note: Items which have no US List Price indicated (N/A) are not available for resale and are identified for reference purposes only.
 Part Number Descriptions with an asterisk (*) are not shown.

Model LTCM-6 Series Parts Listing

Ref. No.	Part No.	Description	LTCM-6 110V	LTCM-6 230V	LTCM-6E 110V	LTCM-6E 230V
80	EL10-1011*	Tie Wrap	12	12	12	12
81	15596	Terminal, Female	2	2	2	2
82	NC000683	Receptacle, Faston	2	2	2	2
83	NC002312*	Cable, Motor	1	1	1	1
84	NC002311*	Cable, TAC	1	1	1	1
85	NC002385	Hole Plug	1	1	1	1
86	E02-230	Flat Washer, #2	4	4	4	4
87	E09-781	Fuse Holder	1	1	1	1
88	E09-684	Fuse, 630mA	1	1	1	1
-	NC001810*	Operator's Manual	1	1	1	1

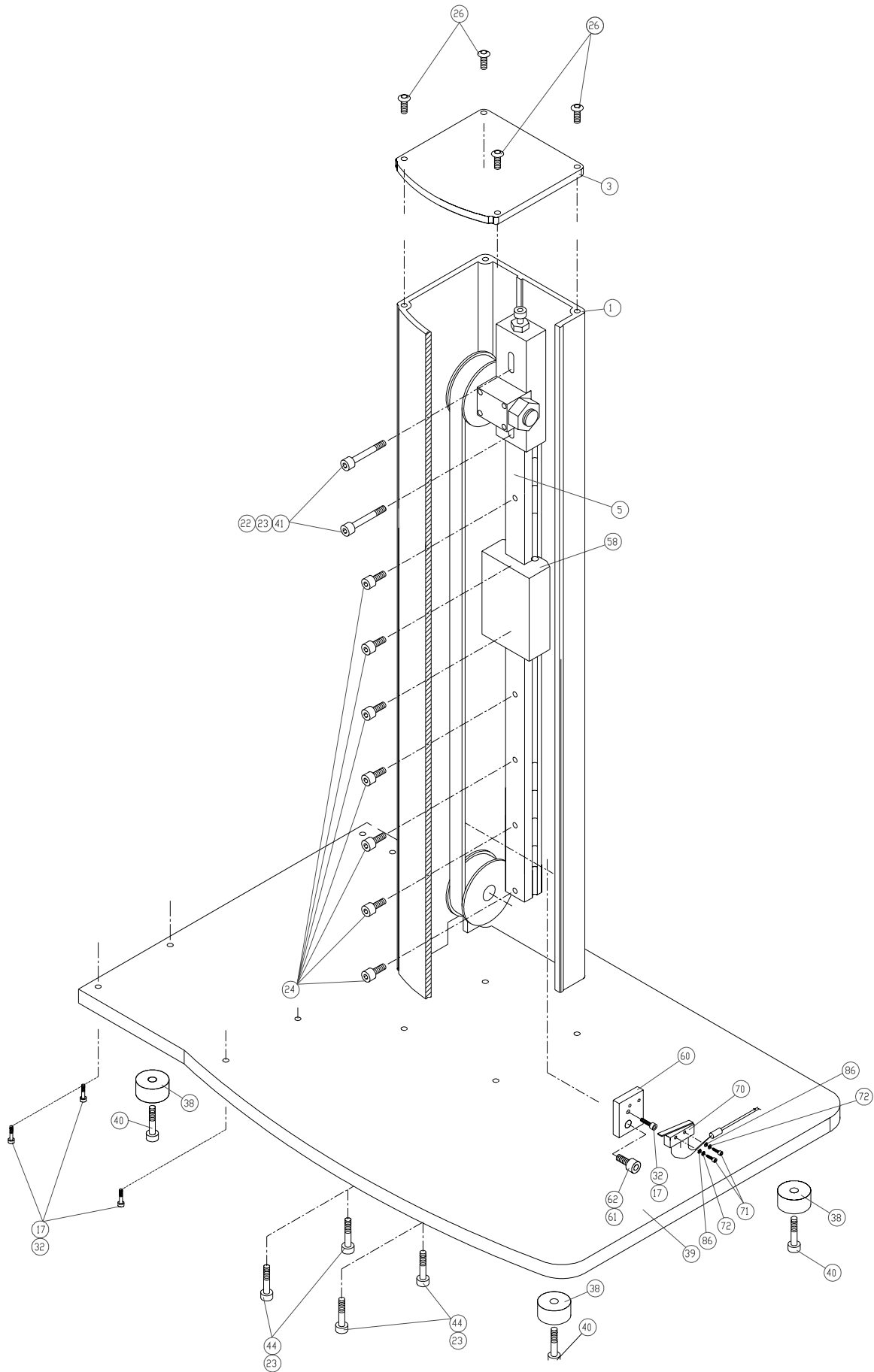


Prices are U.S. Currency
All information is subject to change without notice.
Standard Terms: NET 30 Days
Minimum Order: \$50.00 NET

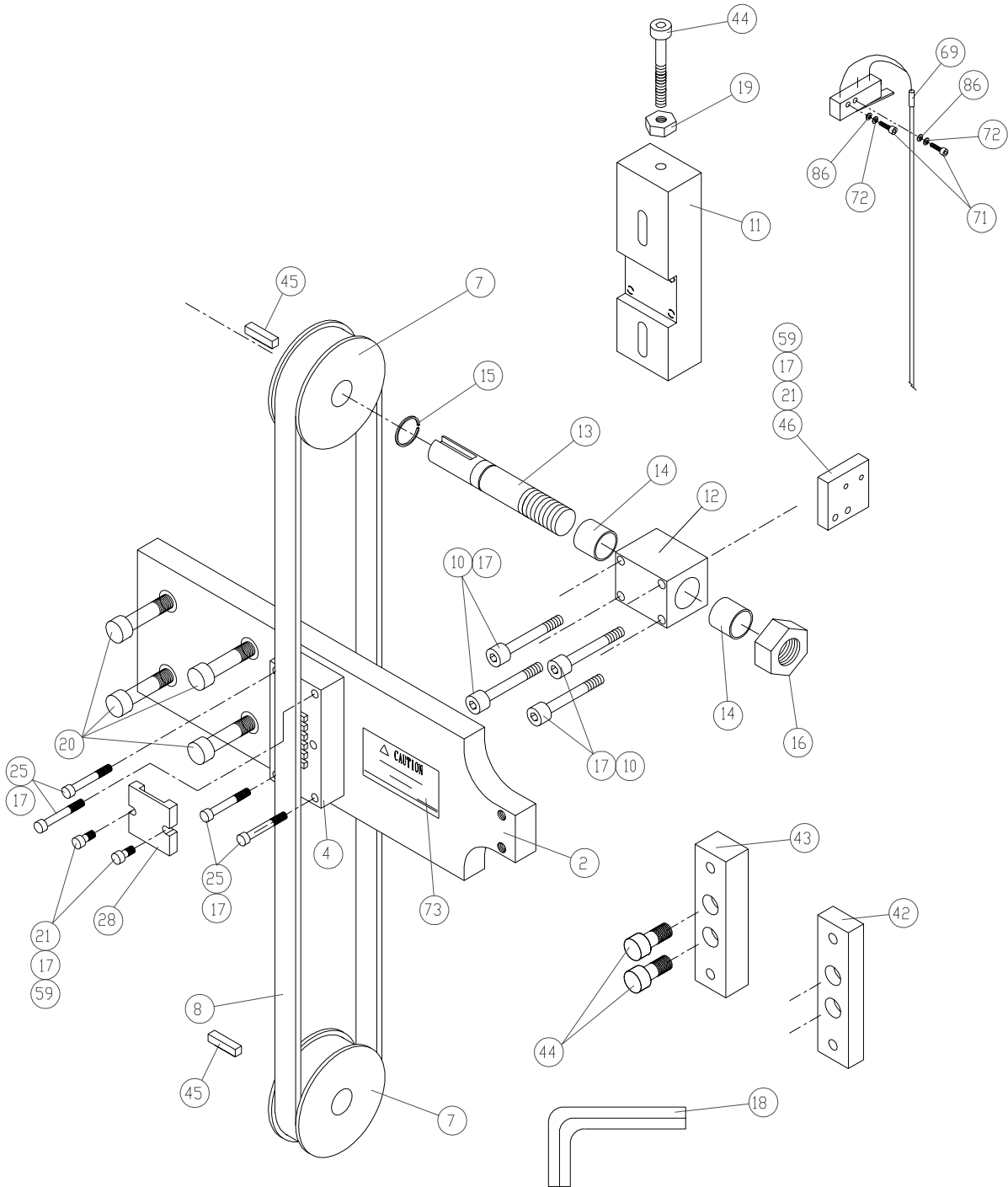
PL-FM-3130-1201

December 2001

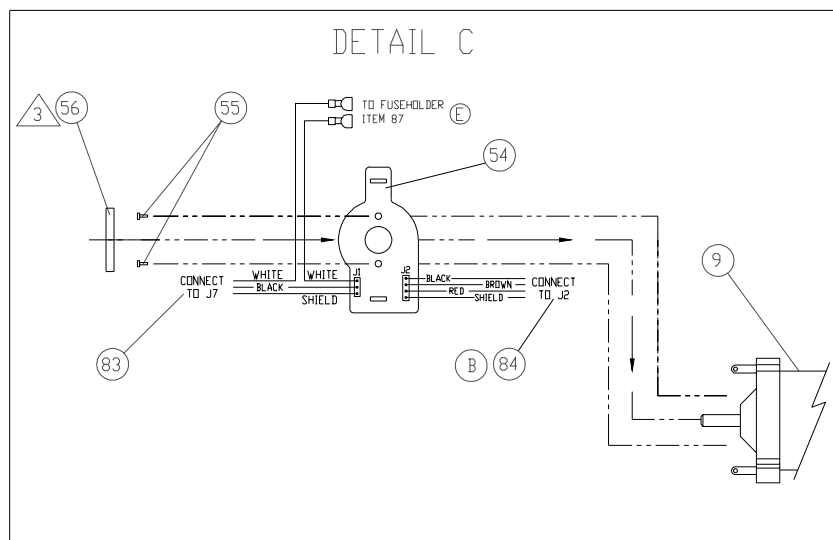
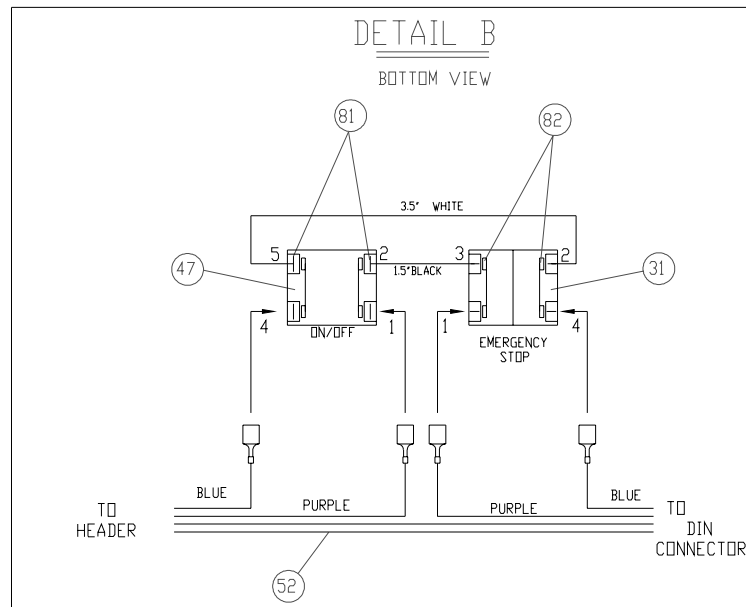
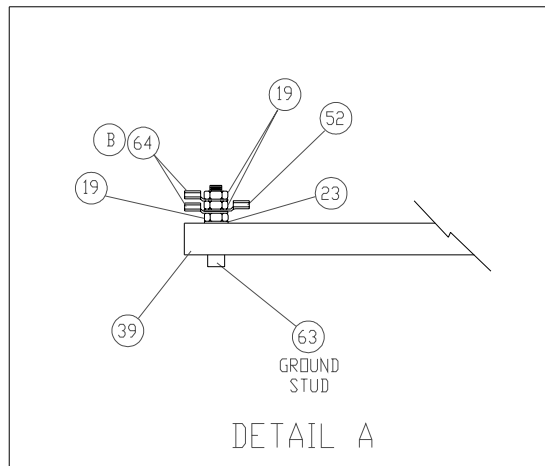
Issue 1



Model LTCM-6 Series Parts Listing



Model LTCM-6 Series Parts Listing



PL-FM-3130-1201

December 2001

Issue 1

Prices are U.S. Currency
 All information is subject to change without notice.
 Standard Terms: NET 30 Days
 Minimum Order: \$50.00 NET

Note: Items which have no US List Price indicated (N/A) are not available for resale and are identified for reference purposes only.
 Part Number Descriptions with an asterisk (*) are not shown.

Model LTCM-6E Series Conversion Kit

Ref. No.	Part No.	Description	LTCM-6E 110V	LTCM-6E 230V
1	NC002256	Switch Tower	1	1
2	NC002257	Ruler, 20-inch	1	1
3	NC002258	Clip	2	2
4	NC002259	Shaft Collar, 1/8 with Set Screw	2	2
5	NC002260	Rod, 23-1/8 inch	1	1
6	NCK-1428	Spring	2	2
7	3168	Nut, #6-32	2	2
8	NC002261	Trigger	1	1
9	21001	Set Screw, #10-32 x 1/2	3	3
10	NC002384	Cable	1	1
11	NC001122	Washer, Split #2	4	4
12	NC001215	Screw, #2-56-2B x 3/8 SHCS	4	4
13	NC002273	Knurl, Head Screw	2	2
14	NC002262	Spacer	2	2
15	NC002263	Cover	1	1
16	NC002298	DB Board	1	1
17	NC002354	Screw, #6-32 x 1-1/4	1	1
18	EL10-1017	Ring Terminal	1	1
19	E02-230	Washer, Flat #2	4	4

Model LTCM-6E Series Conversion Kit

